

NOTES FROM THE CREATOR

-SPECIAL CREDIT AND THANKS TO PATRICK SALVAIL WHO CREATED A SET OF TEMPLATES IN 2003, WHICH A FAIR AMOUNT OF MY WORK WAS BASED OFF OF.

-ALL DRAWINGS EXCEPT 3D'S AND DRAWINGS OTHERWISE NOTED ARE FULL SCALE. (1" = 1") IF YOU ARE UNABLE TO PRINT ONTO 8½" x 11" PAPER, PRINT THIS DOCUMENT WITHOUT ANY SCALING.

-ALL UNITS ARE IN INCHES BECAUSE FOR BETTER OR WORSE THE U.S. IS STILL ON THE ENGLISH SYSTEM. THAT'S WHERE I LIVE, SO THAT'S WHAT I USE. (FOR THOSE OF YOU NOT IN THE STATES, 1" ≈ 25.4 MM)

-THESE TEMPLATES ARE SET UP SO THAT YOU COULD USE PAPER, CARDBOARD, OR THIN PLASTIC AND SIMPLY CUT & BEND ALL OF THE SHAPES. IF YOU ARE USING THICKER PLASTIC OR OTHER MATERIAL NOT ALL OF THE SHAPES MAY BE NECESSARY.

-I STRONGLY SUGGEST READING OR LOOKING THROUGH THIS WHOLE DOCUMENT & MAKING A PAPER/ CARDBOARD MOCK UP BEFORE BEGINNING WORK ON YOUR ACTUAL MODEL.

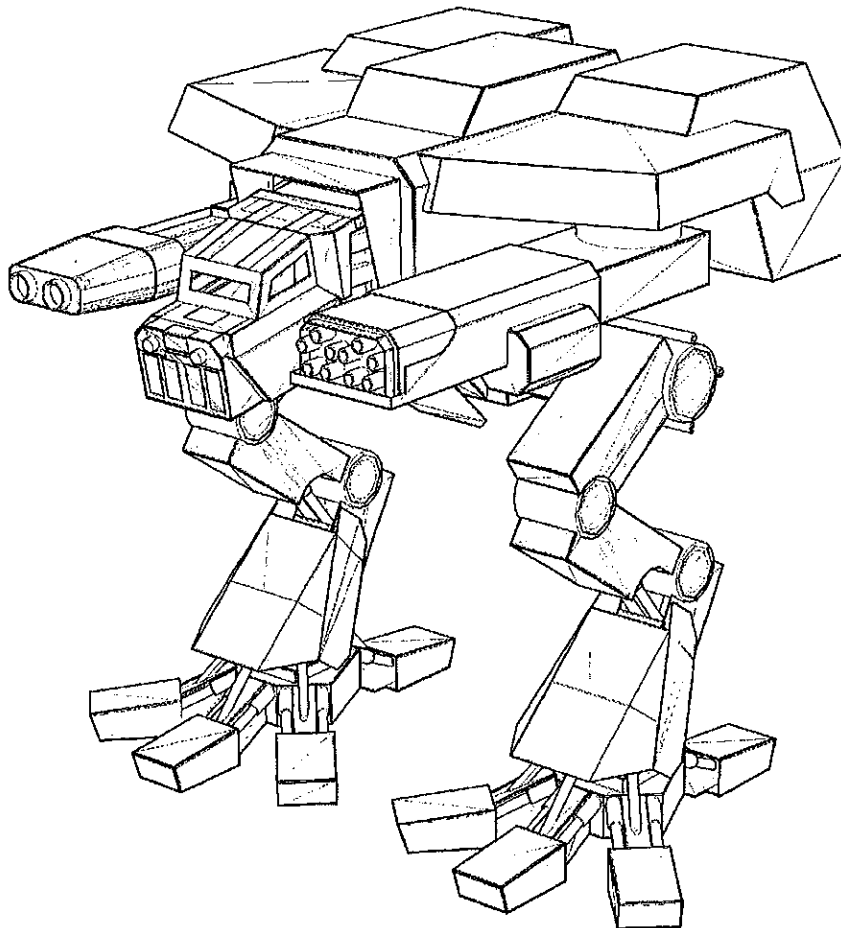
-PLEASE CONTINUE TO SHARE THIS DOCUMENT. THESE TEMPLATES SHOULD PRODUCE A MODEL VERY CLOSE TO THE ONE SHOWN BELOW. FEEL FREE TO DEVIATE FROM THESE TEMPLATES AS MUCH (OR AS LITTLE) AS YOU LIKE. AS WELL AS TO CONTACT ME WITH SUGGESTIONS, COMMENTS, CRITICISMS OR ANYTHING ELSE.

-I TRIED MY BEST TO MAKE THESE AS UNDERSTANDABLE AS POSSIBLE, GOOD LUCK.

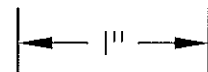
-SUPPORT GAMES WORKSHOP.

THANKS & ENJOY,

-JSV

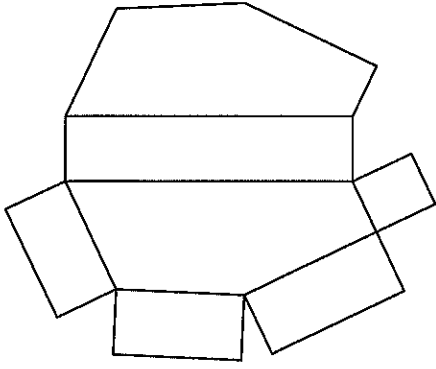


THIS BAR BELOW WILL APPEAR ON EVERY DRAWING, IT SHOULD MEASURE 1" IF THE PAGE IS PRINTED CORRECTLY, IF IT DOESN'T MAKE THE NECESSARY ADJUSTMENTS SO THAT IT DOES.

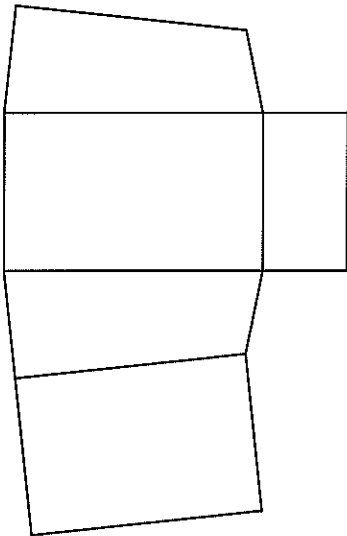
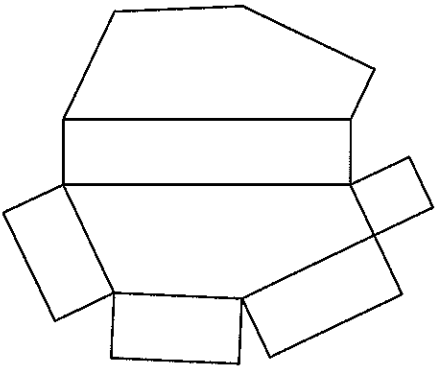
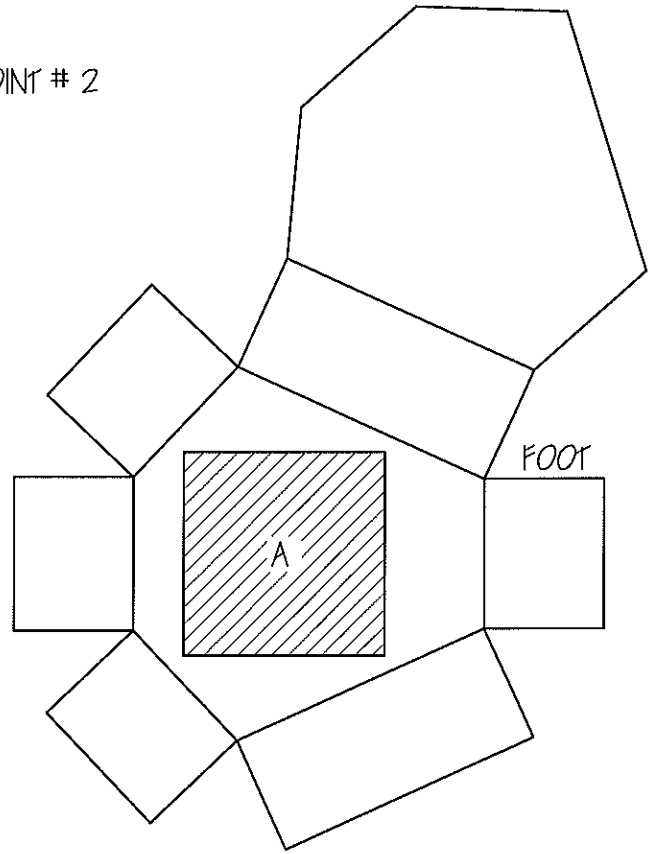
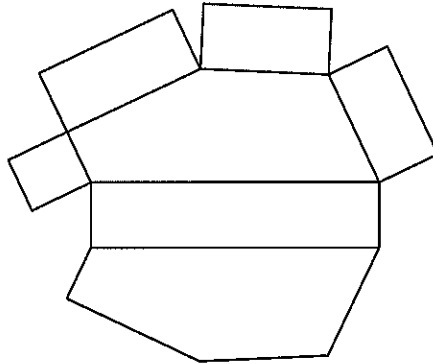
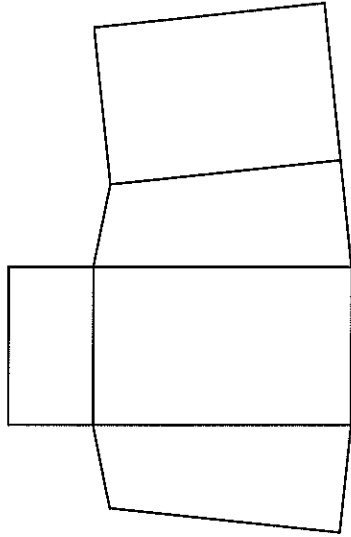
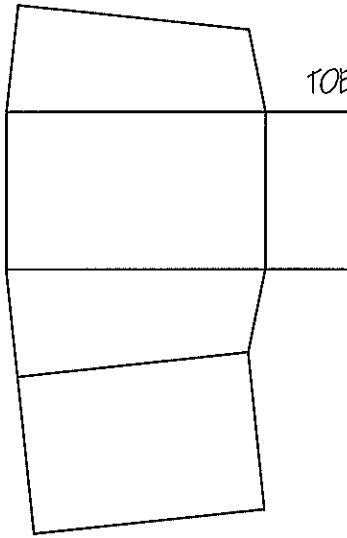


APPROVED FOR CONSTRUCTION BY ORDER OF MAGOS JSV-K198	
TITLE : 3D MODEL - COVER	
PROJECT	DATE
TITAN REDESIGN	DEC-18-2008 (M39)
CONTACT	
JSVIRONFURNACE@YAHOO.COM	
DRAWING NO.	
DWG-WH-101	

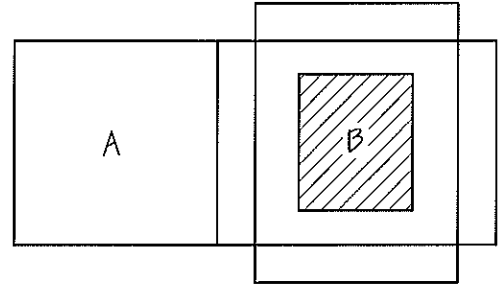
TOE JOINT # 1



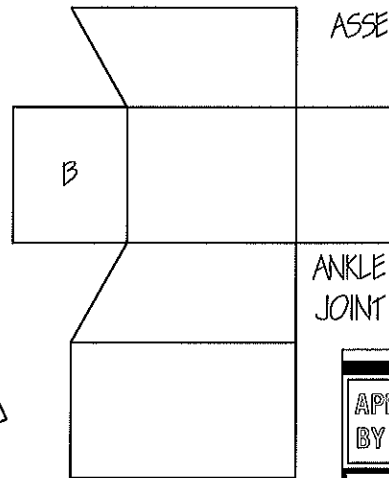
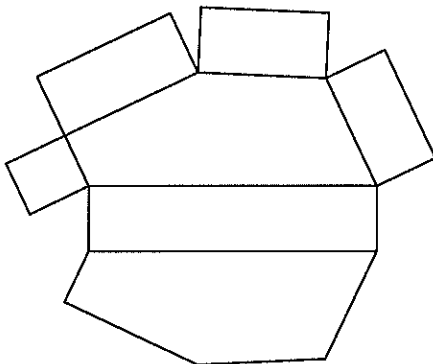
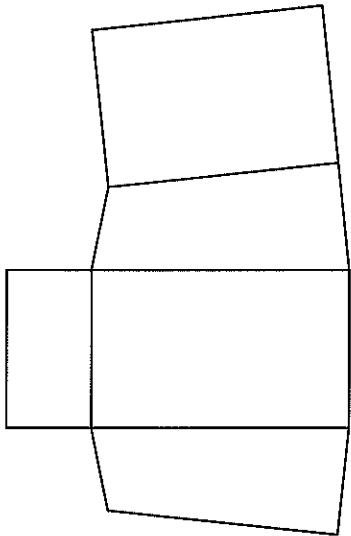
TOE JOINT # 2



ANKLE BASE

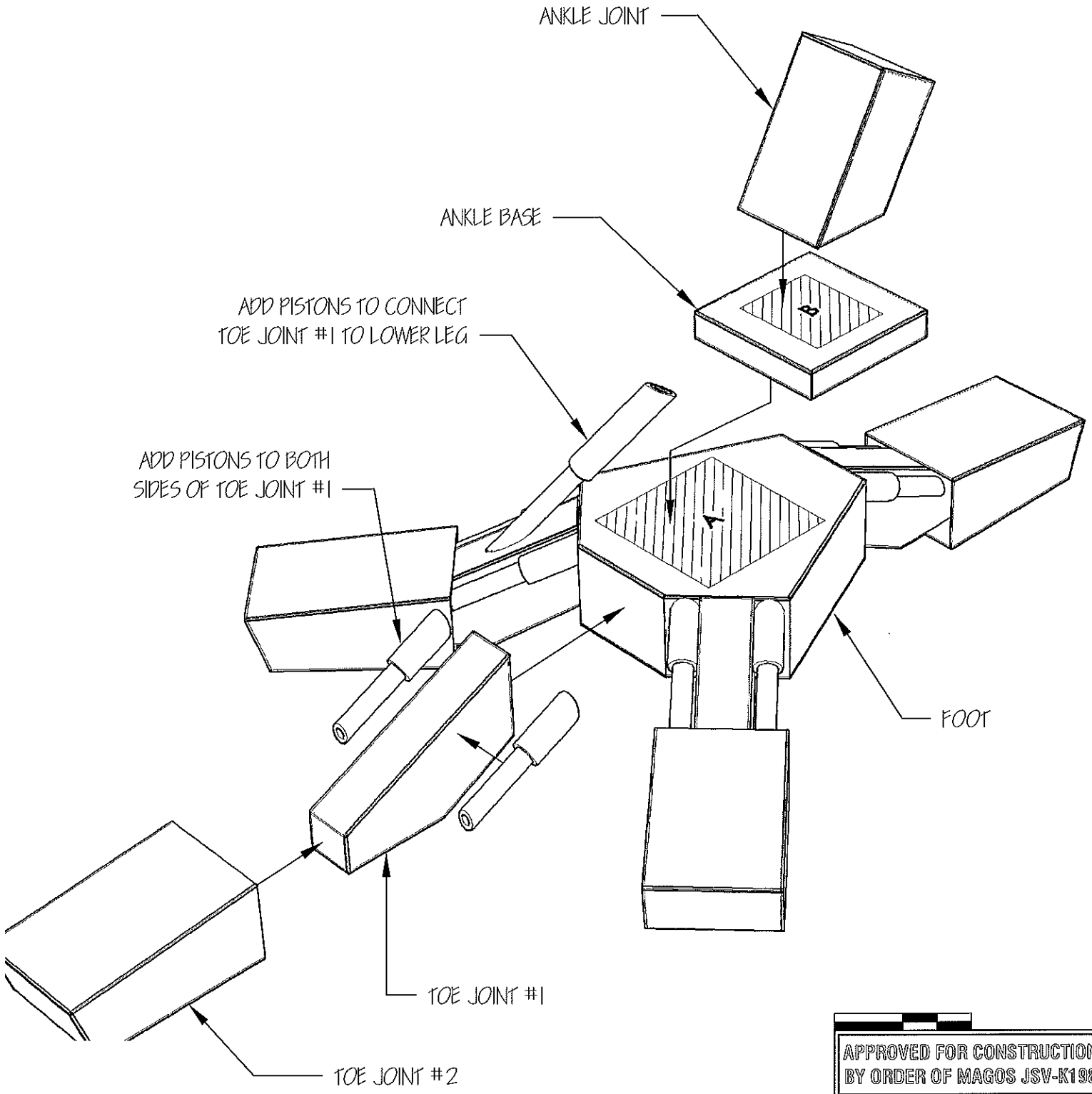


SEE DWG-WH-103 FOR ASSEMBLY GUIDE

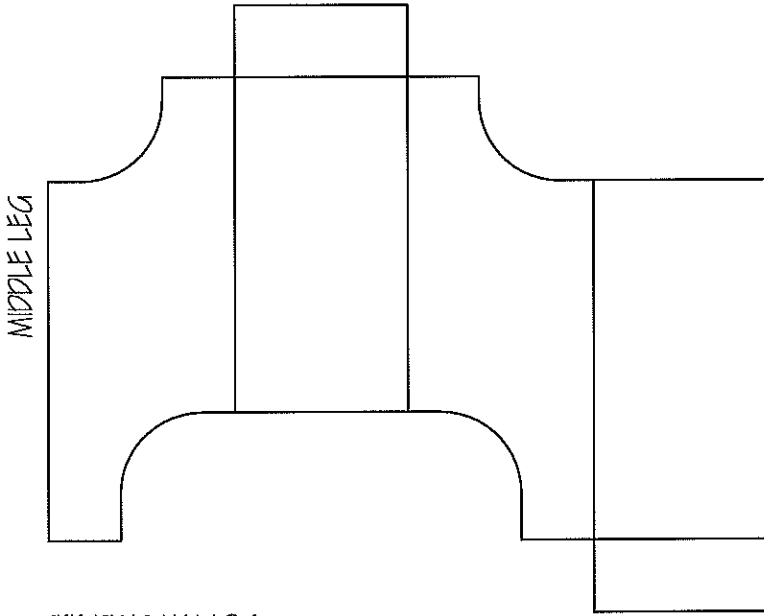


ANKLE JOINT

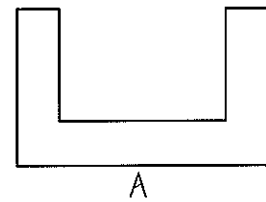
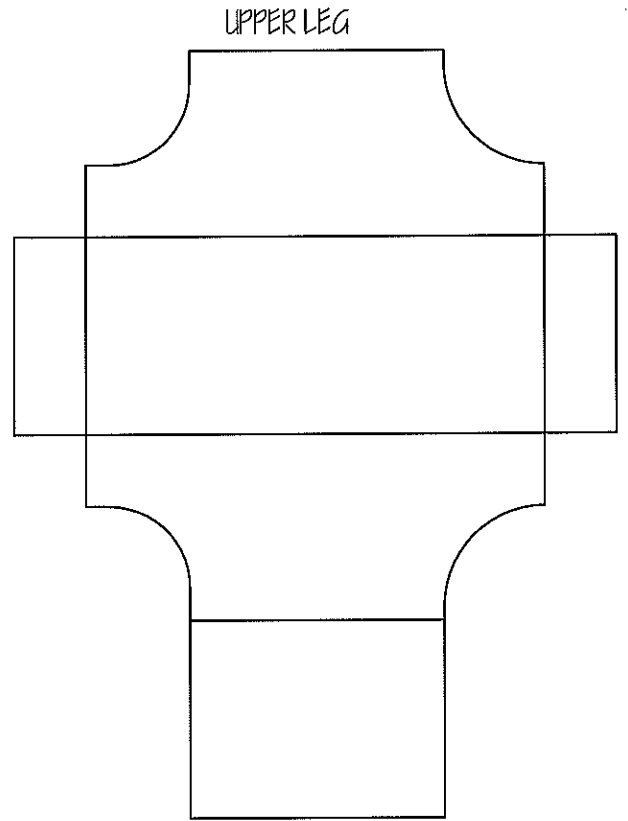
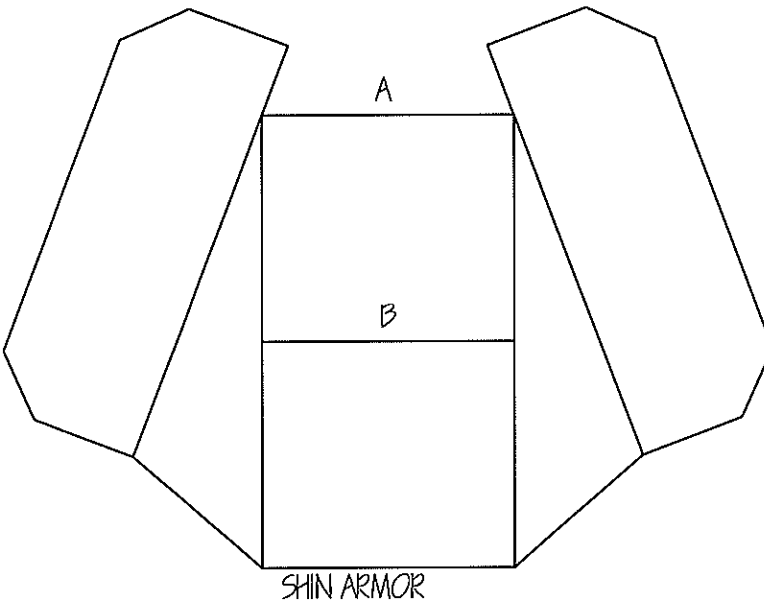
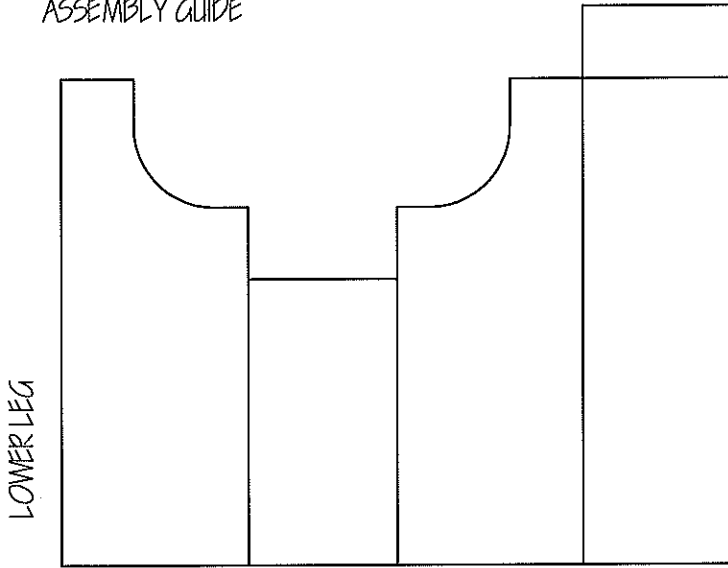
APPROVED FOR CONSTRUCTION BY ORDER OF MAGOS JSV-K198	
TITLE : FOOT/ANKLE TEMPLATES	
PROJECT	DATE
TITAN REDESIGN	DEC-18-2006 (M39)
CONTACT	
JSVIRONFURNACE@YAHOO.COM	
DRAWING NO.	
DWG-WH-102	



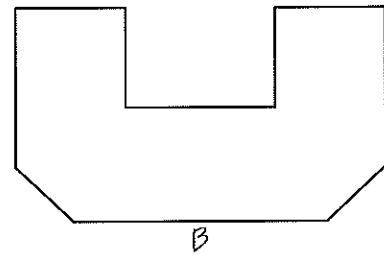
	
APPROVED FOR CONSTRUCTION BY ORDER OF MAGOS JSV-K198	
TITLE : FOOT/ANKLE ASSEMBLY	
<small>PROJECT</small> TITAN REDESIGN	<small>DATE</small> DEC-18-2006 (M39)
<small>CONTACT</small> JSVIRONFURNACE@YAHOO.COM	
<small>DRAWING NO.</small> DWG-WH-103	



SEE DWG-WH-105 &
DWG-WH-107 FOR
ASSEMBLY GUIDE



SHIN ARMOR BRACES



APPROVED FOR CONSTRUCTION BY ORDER OF MAGOS JSV-K198	
TITLE : LEG TEMPLATES	
PROJECT TITAN REDESIGN	DATE DEC-18-2006 (M39)
CONTACT JSVIRONFURNACE@YAHOO.COM	
DRAWING NO. DWG-WH-104	

CAP ENDS OF PVC WITH CIRCULAR OR OCTAGNAL PLATES AS NEEDED (TEMPLATS PROVIDED BOTTOM LEFT THIS PAGE)

$\phi 1\frac{1}{16}$ "
 3/4" SCH 40 PVC
 1-11/16" LONG

OUTSIDE DIAMETER
 OF PVC PIPE SHOWN
 USE SIMILAR IF PVC NOT
 AVAILABLE

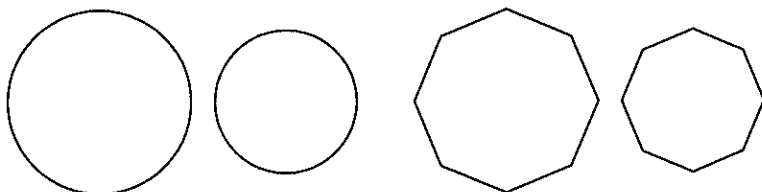
$\phi 1\frac{3}{16}$ "
 1/2" SCH 40 PVC
 1" LONG

$\phi 1\frac{3}{16}$ "
 1/2" SCH 40 PVC
 1" LONG

INSERT ANKLE JOINT
 INTO LOWER LEG

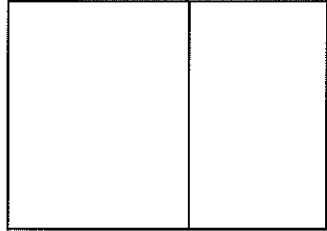
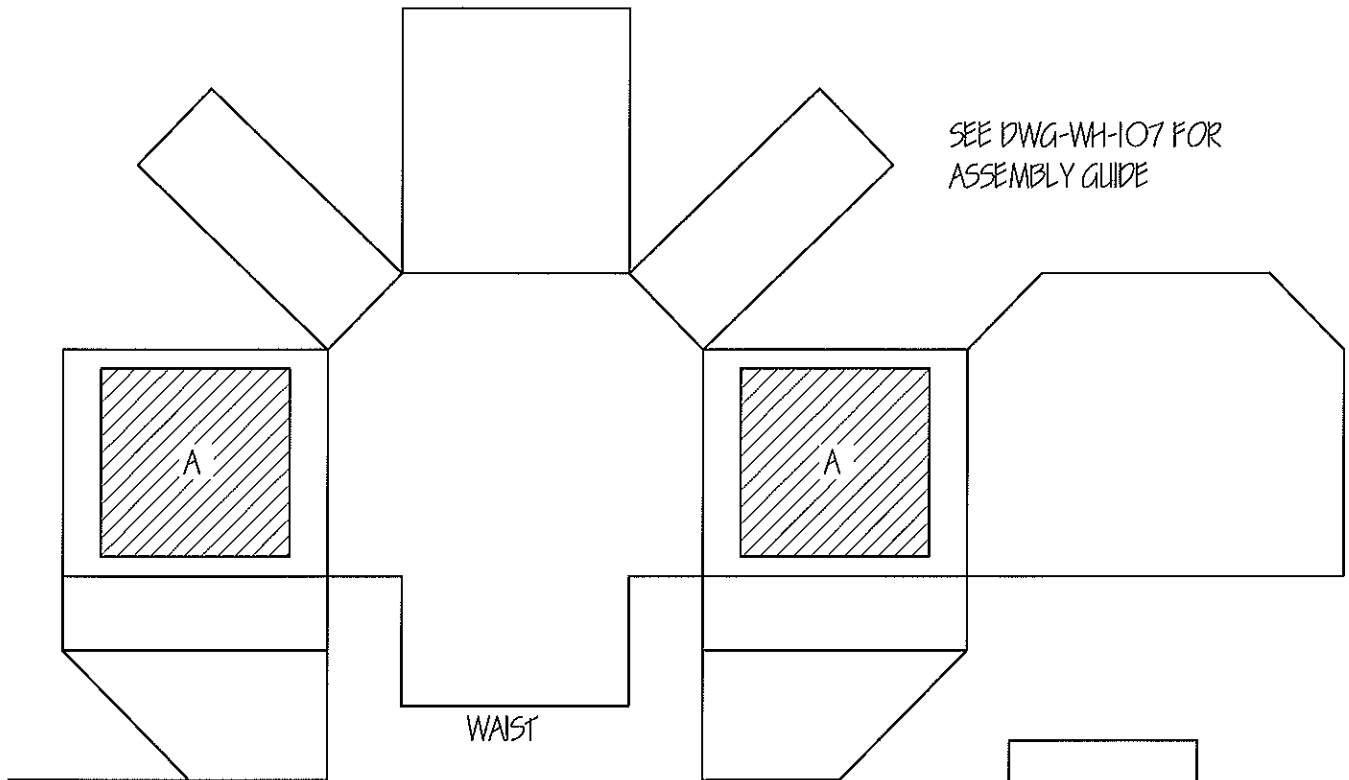
ADD 2 PISTONS FROM INSIDE OF
 MIDDLE LEG TO INSIDE OF LOWER
 LEG

ADD PISTONS FROM LOWER
 LEG TO TOE BEFORE / DURING
 PLACEMENT OF SHIN ARMOR

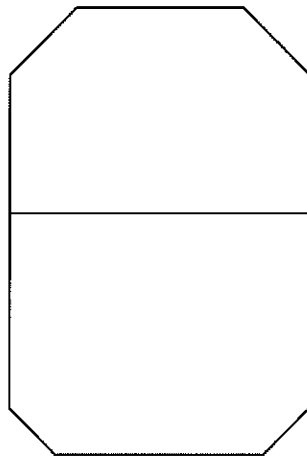


APPROVED FOR CONSTRUCTION BY ORDER OF MAGOS JSV-K198	
TITLE : LEG ASSEMBLY	
PROJECT TITAN REDESIGN	DATE DEC-18-2008 (M39)
CONTACT JSVIRONFURNACE@YAHOO.COM	
DRAWING NO. DWG-WH-105	

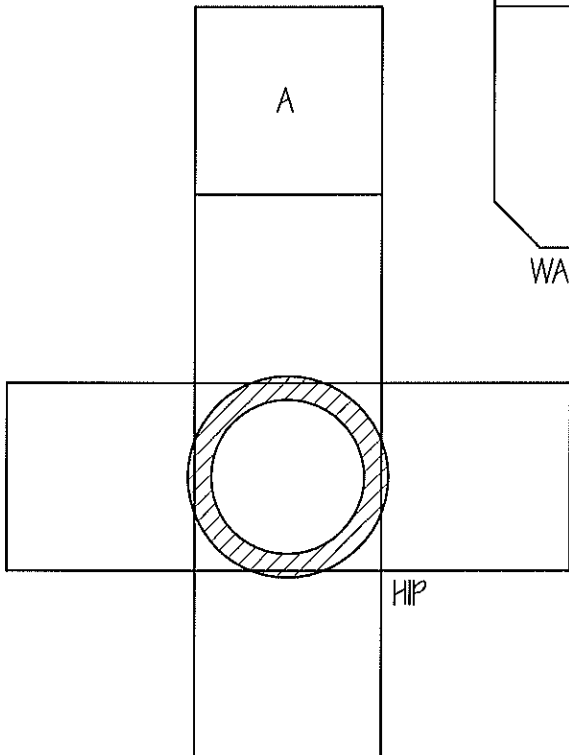
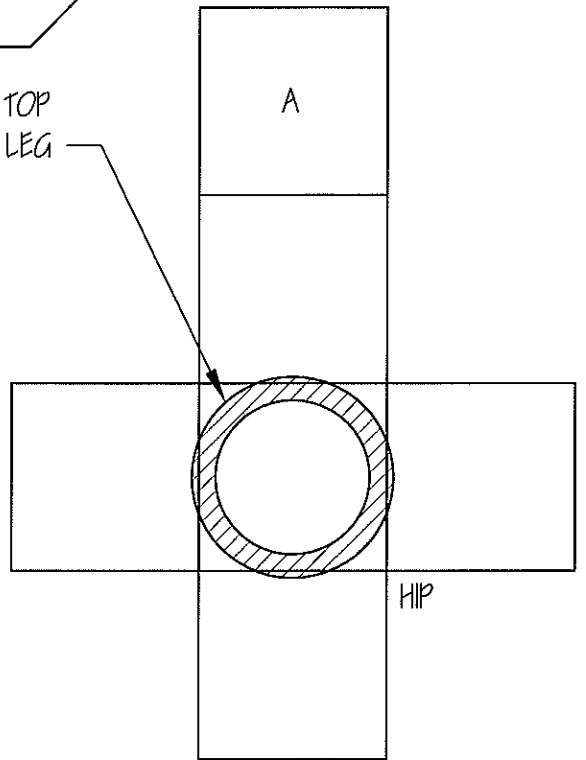
SEE DWG-WH-107 FOR
ASSEMBLY GUIDE



CONNECT TO TOP
PVC JOIN ON LEG



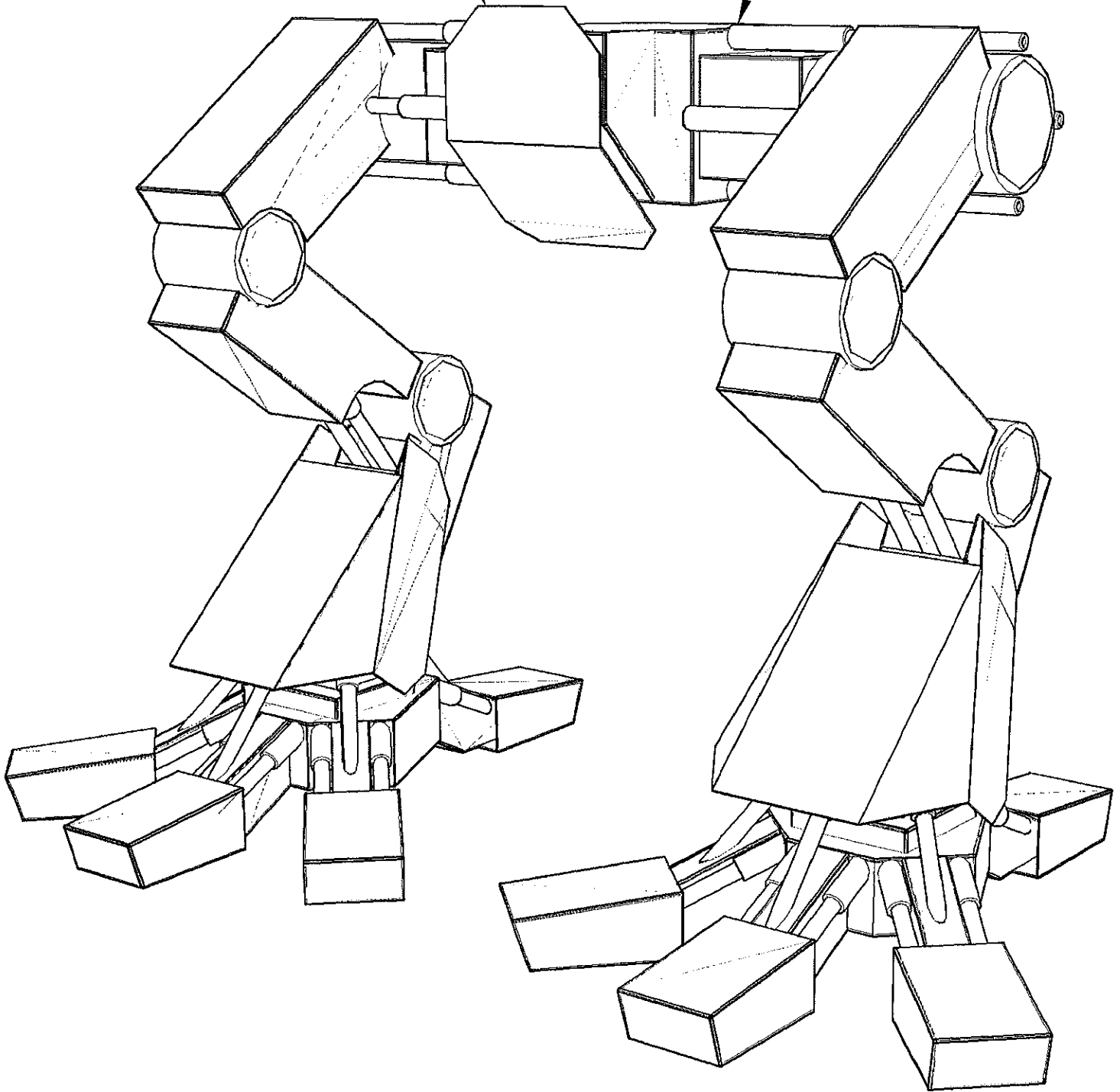
WAIST ARMOR



APPROVED FOR CONSTRUCTION BY ORDER OF MAGOS JSV-K198	
TITLE : WAIST/HIP TEMPLATES	
PROJECT TITAN REDESIGN	DATE DEC-18-2006 (M39)
CONTACT JSVIRONFURNACE@YAHOO.COM	
DRAWING NO. DWG-WH-106	

ADD SPACER TO SET WAIST
ARMOR AWAY FROM WAIST

ADD 4 PISTONS AROUND
3/4" SCH 40 PVC



APPROVED FOR CONSTRUCTION
BY ORDER OF MAGOS JSV-K198

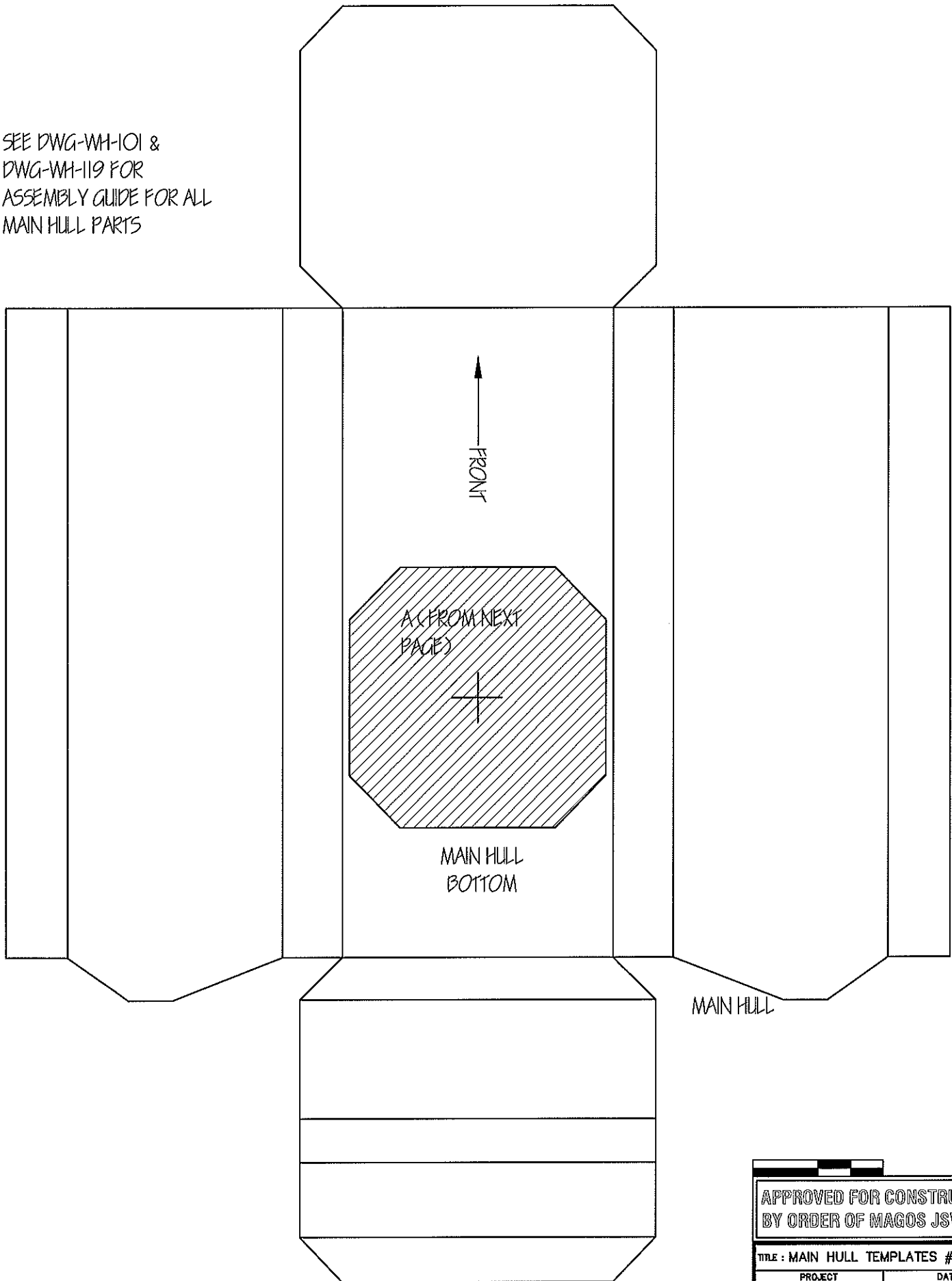
TITLE : FULL LOWER BODY ASSEMBLY

PROJECT	DATE
TITAN REDESIGN	DEC-18-2008 (M39)

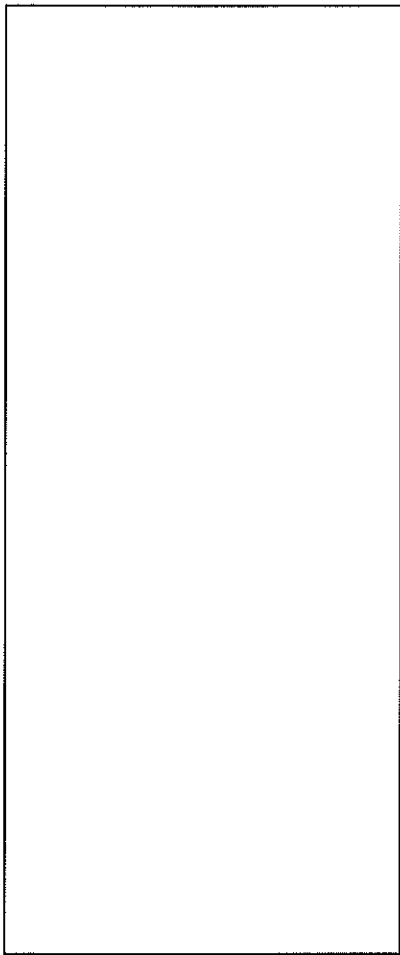
CONTACT
JSVIRONFURNACE@YAHOO.COM

DRAWING NO.
DWG-WH-107

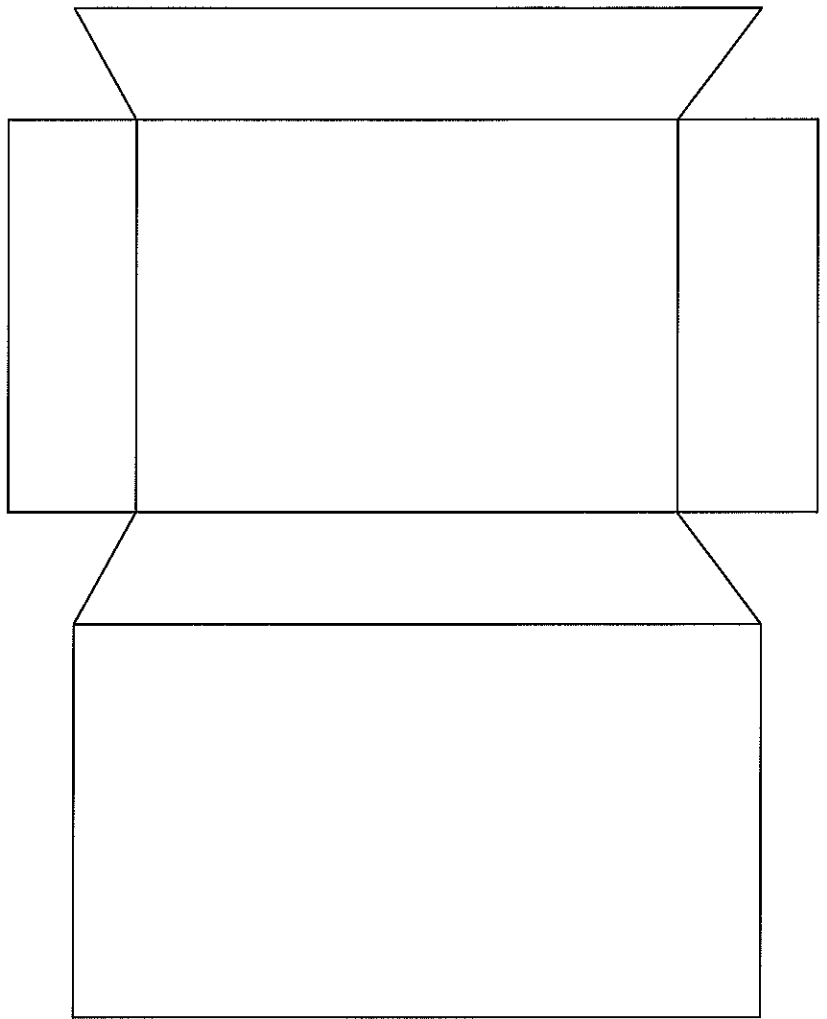
SEE DWG-WH-101 &
DWG-WH-119 FOR
ASSEMBLY GUIDE FOR ALL
MAIN HULL PARTS



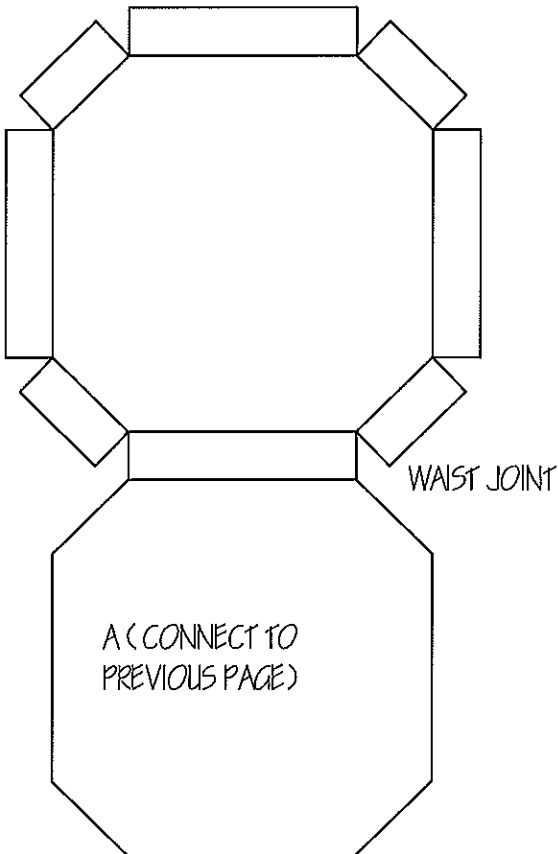
APPROVED FOR CONSTRUCTION BY ORDER OF MAGOS JSV-K198	
TITLE : MAIN HULL TEMPLATES #1	
PROJECT TITAN REDESIGN	DATE DEC-18-2006 (M39)
CONTACT JSVIRONFURNACE@YAHOO.COM	
DRAWING NO. DWG-WH-108	



MAIN HULL TOP (CONNECT TO MAIN HULL ON PREVIOUS PAGE)



BACK RAISED AREA

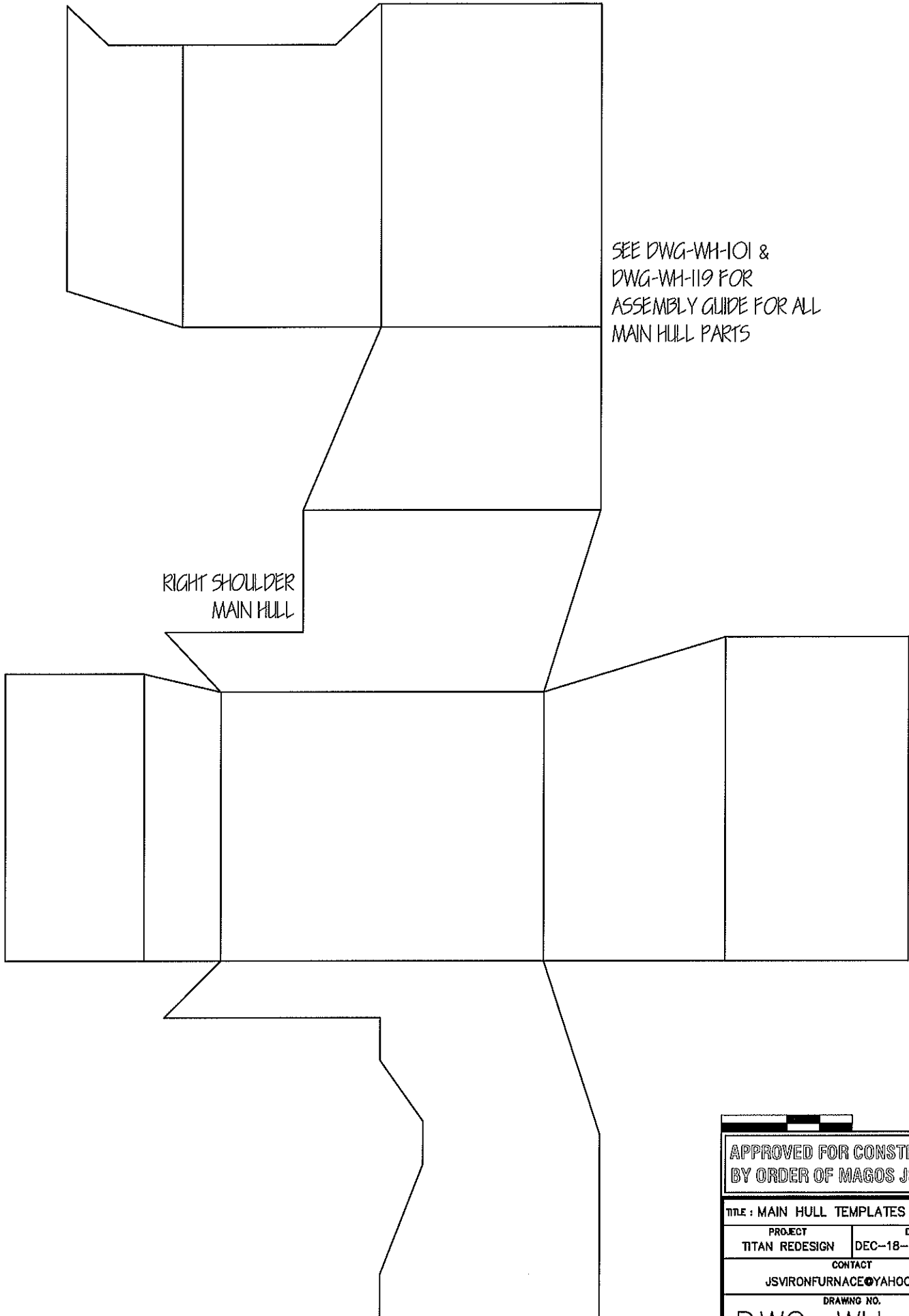


WAIST JOINT

A (CONNECT TO PREVIOUS PAGE)

SEE DWG-WH-101 &
DWG-WH-119 FOR
ASSEMBLY GUIDE FOR ALL
MAIN HULL PARTS

APPROVED FOR CONSTRUCTION BY ORDER OF MAGOS JSV-K198	
TITLE : MAIN HULL TEMPLATES #2	
PROJECT TITAN REDESIGN	DATE DEC-18-2006 (M39)
CONTACT JSVIRONFURNACE@YAHOO.COM	
DRAWING NO. DWG-WH-109	

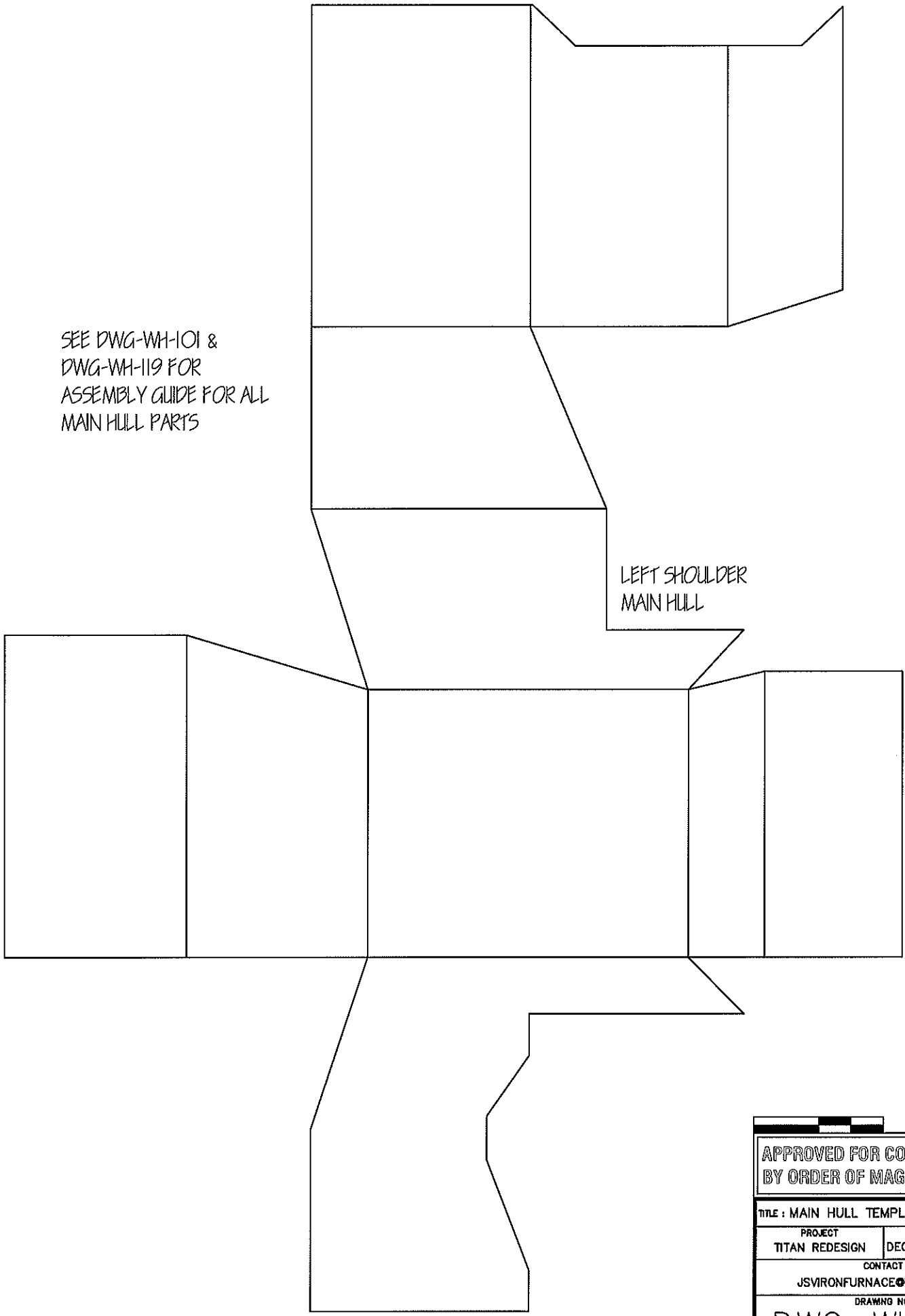


SEE DWG-WH-101 &
DWG-WH-119 FOR
ASSEMBLY GUIDE FOR ALL
MAIN HULL PARTS

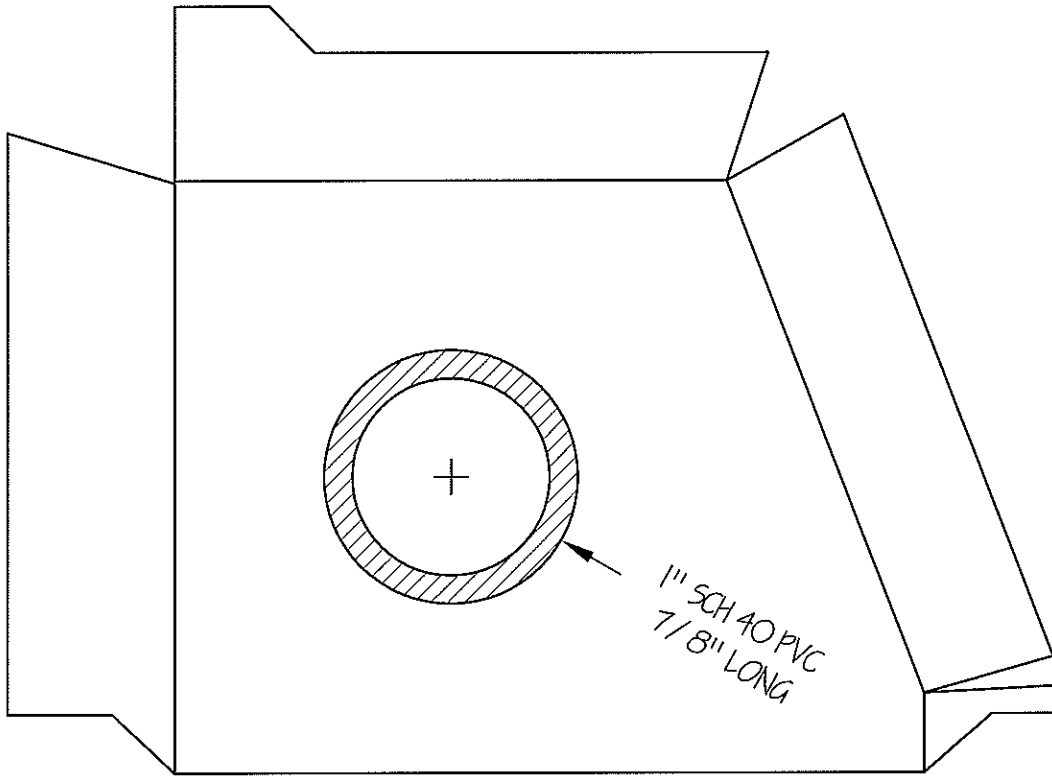
RIGHT SHOULDER
MAIN HULL

APPROVED FOR CONSTRUCTION BY ORDER OF MAGOS JSV-K198	
TITLE : MAIN HULL TEMPLATES #3	
PROJECT TITAN REDESIGN	DATE DEC-18-2006 (M39)
CONTACT JSVIRONFURNACE@YAHOO.COM	
DRAWING NO. DWG-WH-110	

SEE DWG-WH-101 &
DWG-WH-119 FOR
ASSEMBLY GUIDE FOR ALL
MAIN HULL PARTS

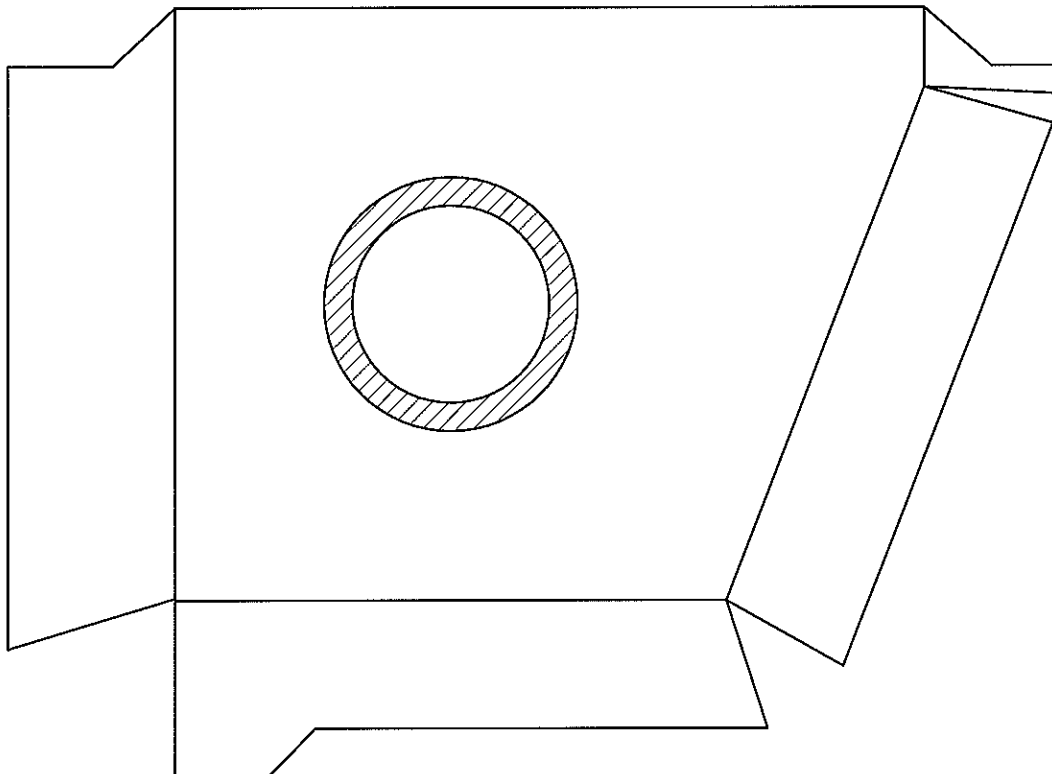


APPROVED FOR CONSTRUCTION BY ORDER OF MAGOS JSV-K198	
TITLE : MAIN HULL TEMPLATES #4	
PROJECT TITAN REDESIGN	DATE DEC-18-2008 (M39)
CONTACT JSVIRONFURNACE@YAHOO.COM	
DRAWING NO. DWG-WH-111	



SHOULDER ARMOR
WEAPON MOUNTS

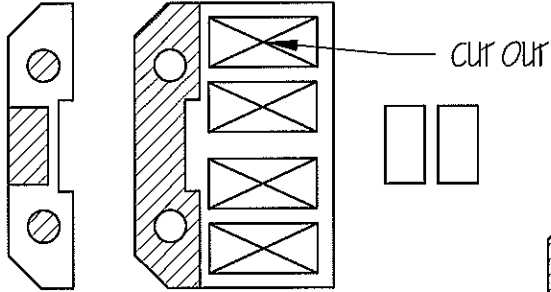
SEE DWG-WH-101 &
DWG-WH-119 FOR
ASSEMBLY GUIDE FOR ALL
MAIN HULL PARTS



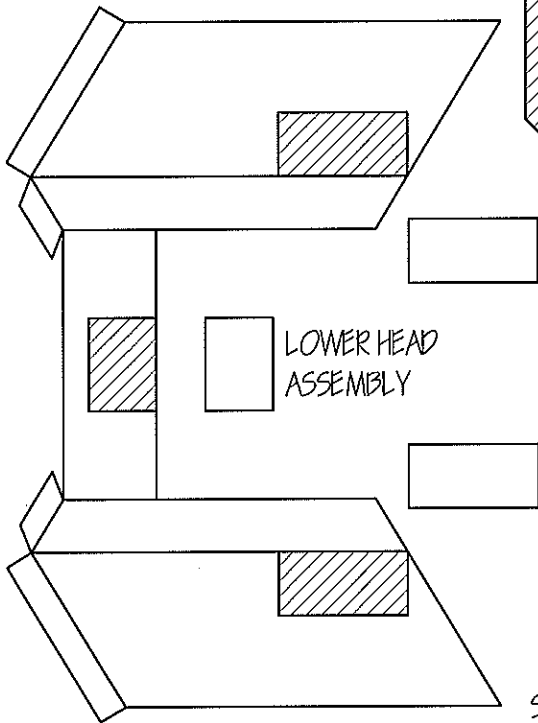
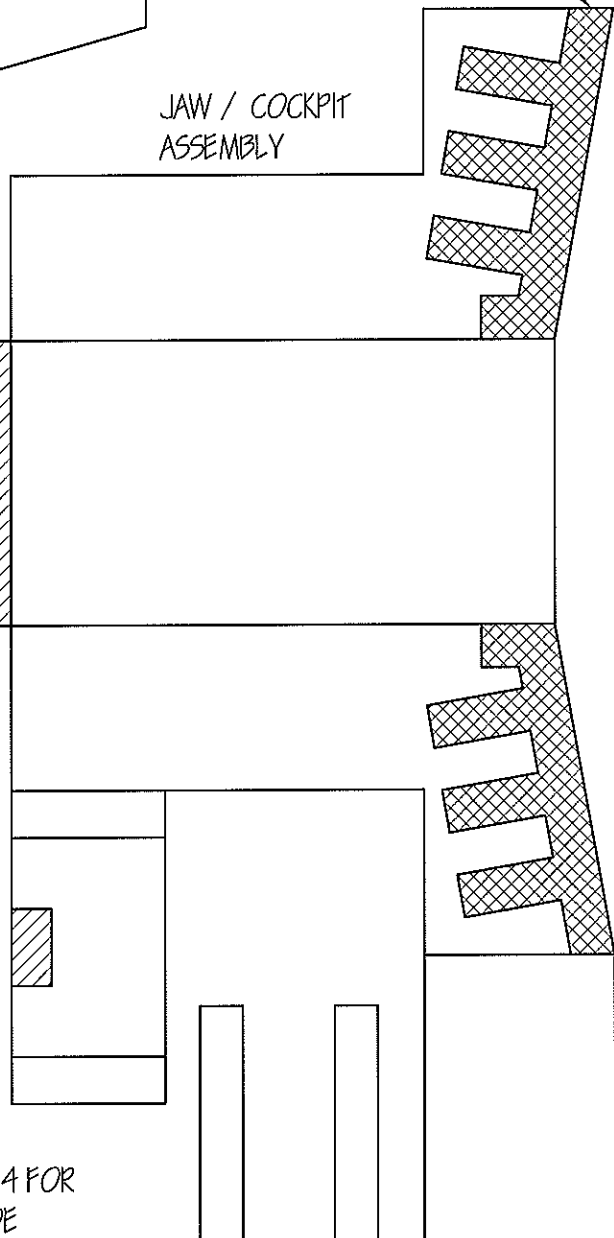
APPROVED FOR CONSTRUCTION BY ORDER OF MAGOS JSV-K198	
TITLE : SHOULDER TEMPLATES	
<small>PROJECT</small> TITAN REDESIGN	<small>DATE</small> DEC-18-2008 (M39)
<small>CONTACT</small> JSVIRONFURNACE@YAHOO.COM	
<small>DRAWING NO.</small> DWG-WH-112	

BUILD UP HATCHED AREA 1/8" THICK
USE PLASTICARD, FOAM CORE OR OTHER

COLLAR

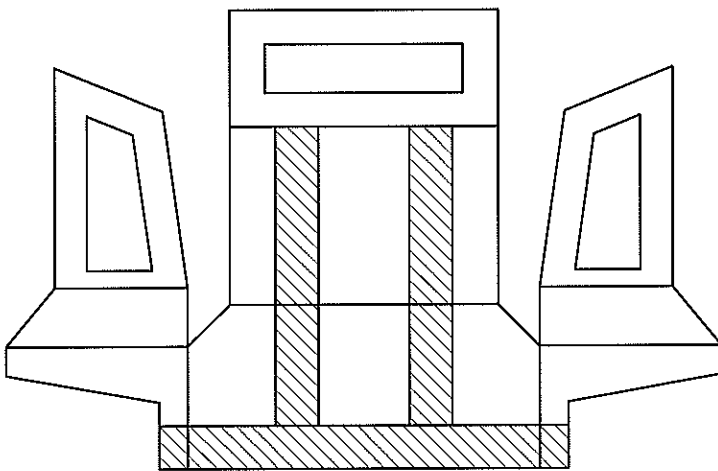


JAW / COCKPIT
ASSEMBLY



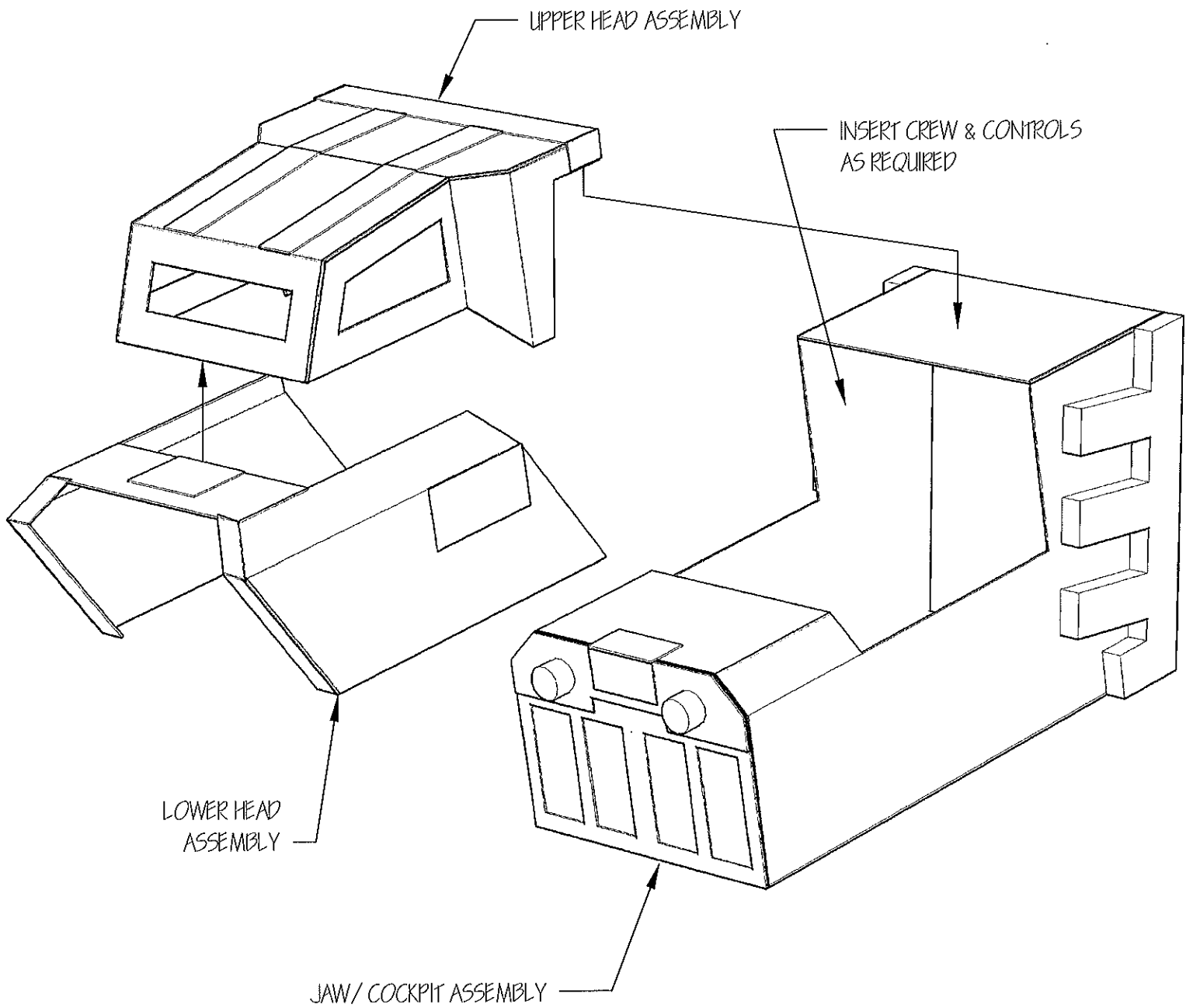
LOWER HEAD
ASSEMBLY

SEE DWG-WH-114 FOR
ASSEMBLY GUIDE

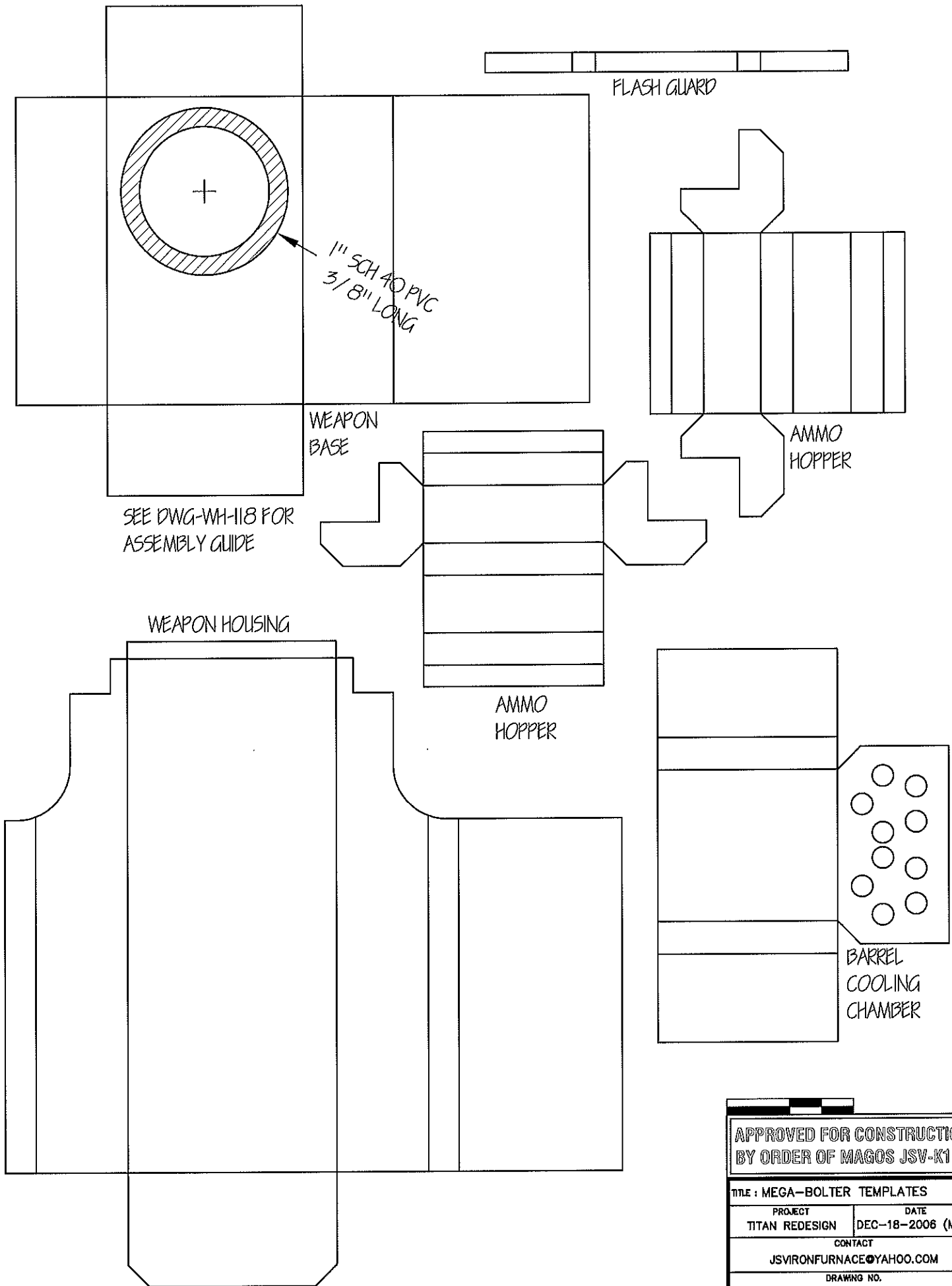



UPPER HEAD
ASSEMBLY

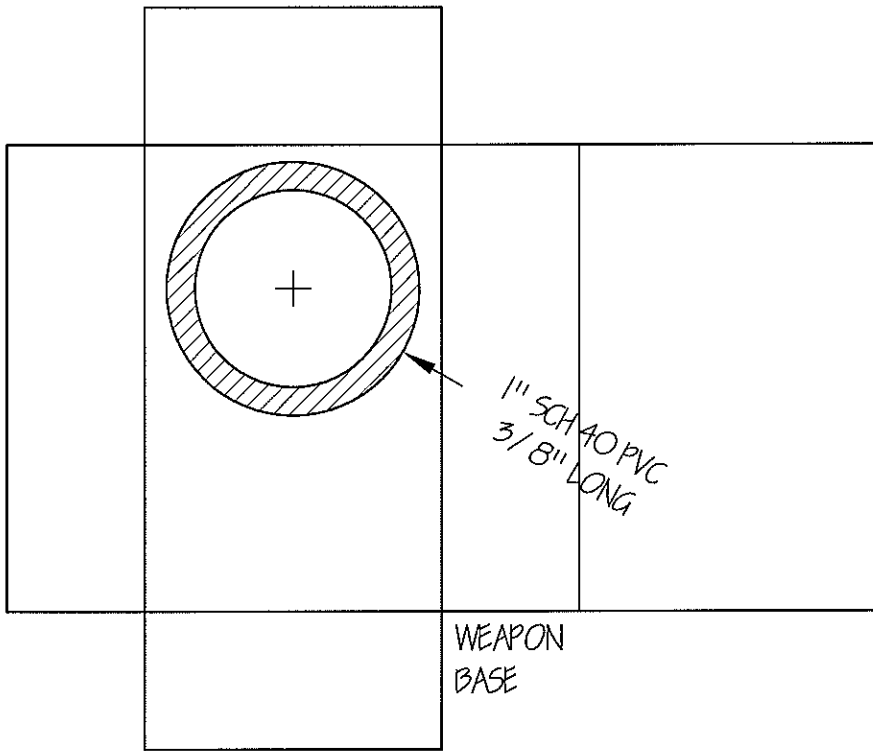
APPROVED FOR CONSTRUCTION BY ORDER OF MAGOS JSV-K198	
TITLE : HEAD TEMPLATES	
PROJECT TITAN REDESIGN	DATE DEC-18-2006 (M39)
CONTACT JSVIRONFURNACE@YAHOO.COM	
DRAWING NO. DWG-WH-113	



APPROVED FOR CONSTRUCTION BY ORDER OF MAGOS JSV-K198	
TITLE : HEAD ASSEMBLY	
PROJECT TITAN REDESIGN	DATE DEC-18-2006 (M39)
CONTACT JSVIRONFURNACE@YAHOO.COM	
DRAWING NO. DWG-WH-114	



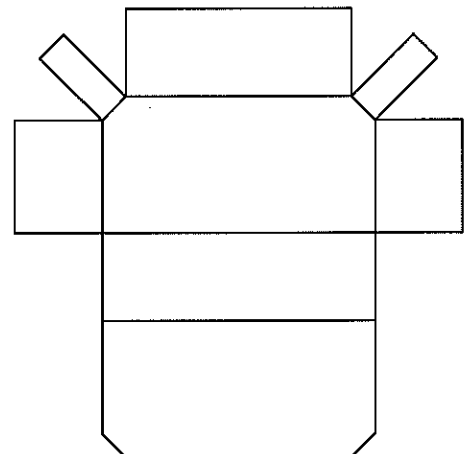
	
APPROVED FOR CONSTRUCTION BY ORDER OF MAGOS JSV-K198	
TITLE : MEGA-BOLTER TEMPLATES	
PROJECT TITAN REDESIGN	DATE DEC-18-2006 (M39)
CONTACT JSVIRONFURNACE@YAHOO.COM	
DRAWING NO. DWG-WH-115	



1" SCH 40 PVC
3/8" LONG

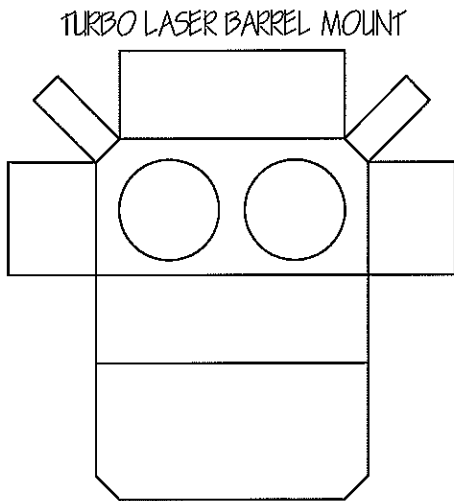
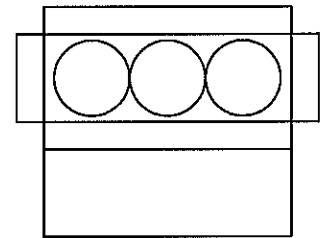
WEAPON
BASE

NOTE: INFERNO CANNON & TURBO
LASER USE THE SAME TEMPLATE FOR
WEAPON BASE, SEE DWG-WH-118

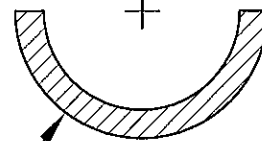


INFERNO CANNON BASE

INFERNO CANNON BARREL MOUNT



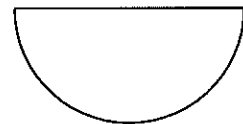
INFERNO CANNON TANK



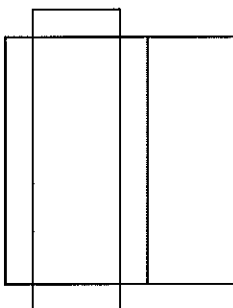
1" SCH 40 PVC
1 1/2" LONG




INFERNO CANNON
TANK CAPS



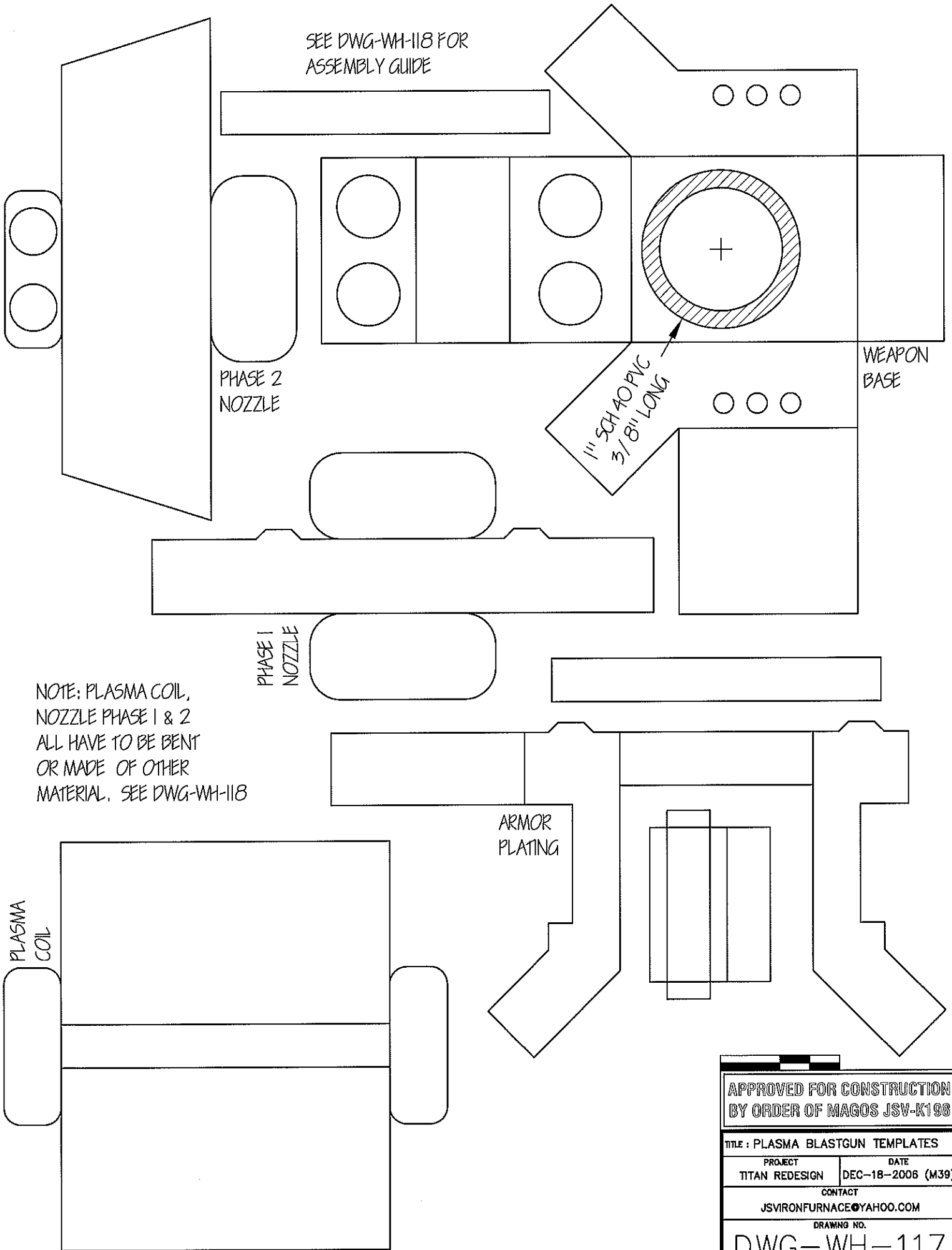
TURBO LASER POWER CELL MONITOR



SEE DWG-WH-118 FOR
ASSEMBLY GUIDE

	
APPROVED FOR CONSTRUCTION BY ORDER OF MAGOS JSV-K198	
TITLE : TURBO-INFERNO TEMPLATES	
<small>PROJECT</small> TITAN REDESIGN	<small>DATE</small> DEC-18-2006 (M39)
<small>CONTACT</small> JSVIRONFURNACE@YAHOO.COM	
<small>DRAWING NO.</small> DWG-WH-116	

SEE DWG-WH-118 FOR
ASSEMBLY GUIDE



PHASE 2
NOZZLE

WEAPON
BASE

1" SCH 40 PVC
3/8" LONG

PHASE 1
NOZZLE

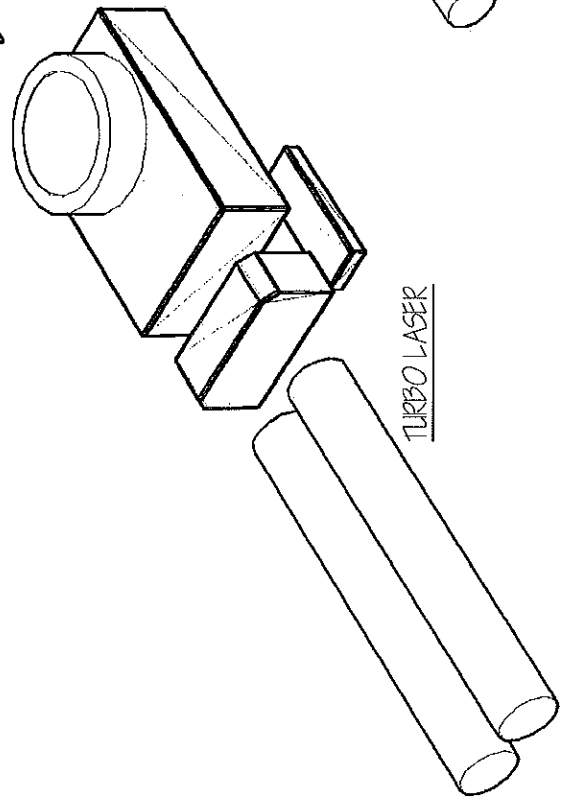
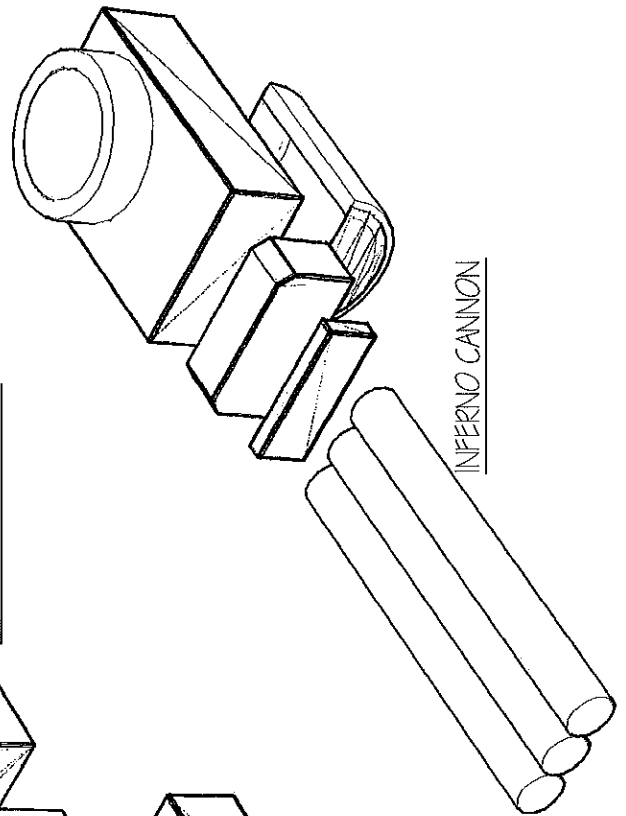
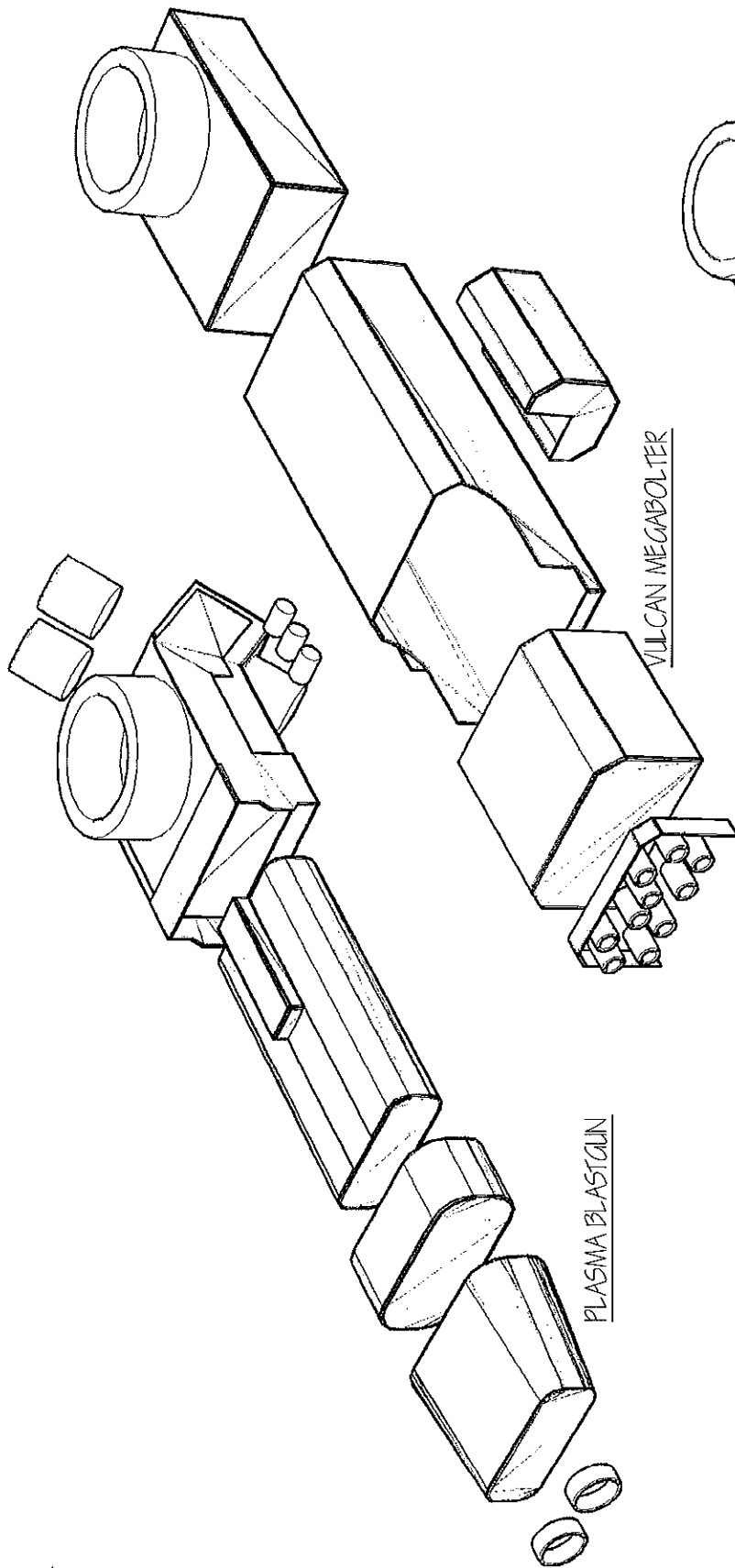
NOTE: PLASMA COIL,
NOZZLE PHASE 1 & 2
ALL HAVE TO BE BENT
OR MADE OF OTHER
MATERIAL. SEE DWG-WH-118

PLASMA
COIL

ARMOR
PLATING

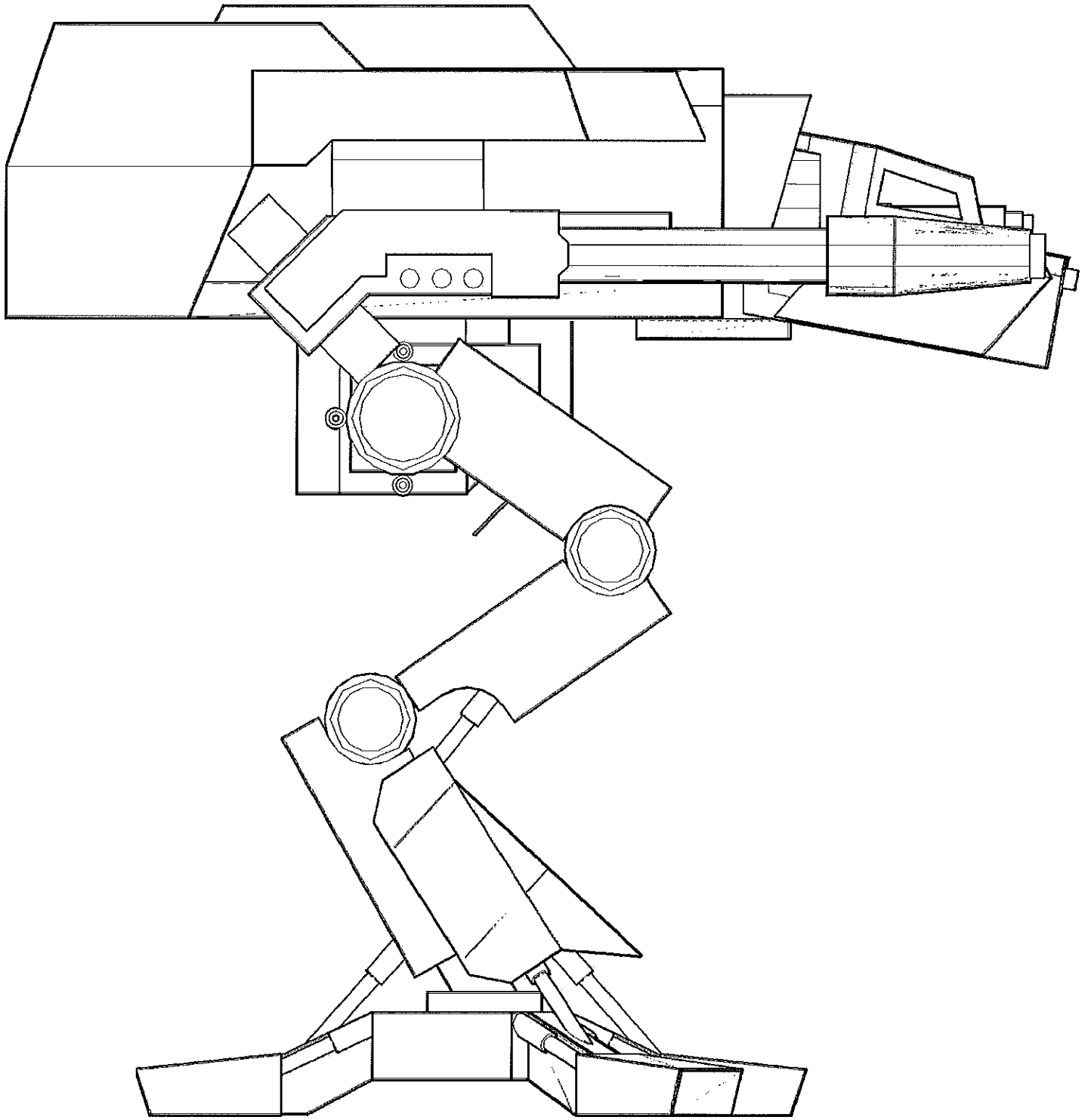
APPROVED FOR CONSTRUCTION
BY ORDER OF MAGOS JSV-K198

TITLE : PLASMA BLASTGUN TEMPLATES	
PROJECT TITAN REDESIGN	DATE DEC-18-2006 (M39)
CONTACT JSVIRONFURNACE@YAHOO.COM	
DRAWING NO. DWG-WH-117	



NOTE: ALL WEAPONS MEASURE APROX. 6" TO 6 1/4" FROM BACK OF BASE TO END OF BARREL

APPROVED FOR CONSTRUCTION BY ORDER OF MAGOS JSV-K198	
TITLE : WEAPON ASSEMBLY	
PROJECT TITAN REDESIGN	DATE DEC-18-2006 (M39)
CONTACT JSVIRONFURNACE@YAHOO.COM	
DRAWING NO. DWG-WH-118	



NOTES:
TITAN SHOWN WITH PLASMA BLASTGUN
TITAN PROFILE SHOWN AT $\frac{3}{4}$ SCALE
($\frac{3}{4}$ " ON PAPER = 1" IN REAL LIFE)

APPROVED FOR CONSTRUCTION BY ORDER OF MAGOS JSV-K198	
TITLE : FULL TITAN PROFILE	
PROJECT TITAN REDESIGN	DATE DEC-18-2006 (M39)
CONTACT JSVIRONFURNACE@YAHOO.COM	
DRAWING NO. DWG-WH-119	